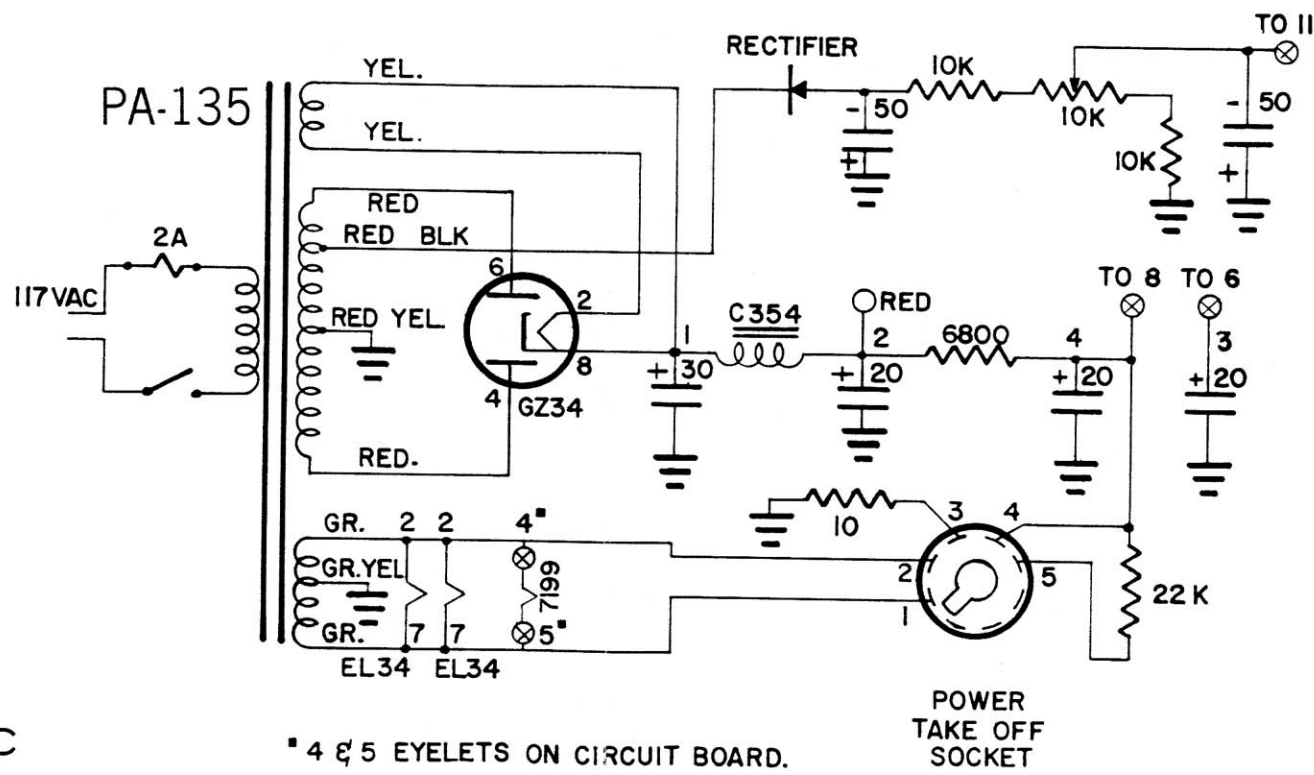


MARK IV SCHEMATIC

\* MATCHED PAIRS



\* 4 & 5 EYELETS ON CIRCUIT BOARD.

POWER TAKE OFF SOCKET