

ECM-990

USA Model



ONE POINT STEREO ELECTRET CONDENSER MICROPHONE

SPECIFICATIONS

PERFORMANCES

Frequency response:	40–16,000 Hz
Directivity:	Uni-directional per each capsule
Output impedance:	200 ohms $\pm 20\%$ at 1,000 Hz
Output level:	(deviation ± 3 dB) Effective output level; -56.0 dBm (0 dB = 1 mW/ 10 μ bar) Open circuit voltage; 0.14 mV/ μ bar Recommended load impedance is more than 3 k ohms.
Power requirements:	Normal operating voltage; 1.5 V DC Minimum operating voltage; 1.1 V DC Current drain; Less than 300 μ A Battery life; Approx. 4,000 hours with EVEREADY 1015, Approx. 3,000 hours with EVEREADY E-91
Noise level:	Signal-to-noise ratio; More than 44 dB ($1,000$ Hz, 1 μ bar) Inherent noise; Less than 30 dB SPL (0 dB = 2×10^{-4} μ bar) Less than 50 dB SPL Wind noise*1; Induction noise from external magnetic field*2; Less than 5 dB SPL/m gauss

*1 Wind noise is the value measured by applying a wind velocity of 6.6 ft/second from all directions to the microphone. The mean value is taken and converted to the equivalent input sound level. 0 dB = 2×10^{-4} μ bar.

*2 The external magnetic field induction noise is measured with the microphone placed in the alternating magnetic field of 50 Hz, 1 m gauss. The maximum noise value is taken and then converted to the equivalent input sound level. 0 dB = 2×10^{-4} μ bar

Maximum sound pressure input level: Approx. 126 dB SPL (0 dB = 2×10^{-4} μ bar)

Environmental temperatures: -4° ~ 140° F (-20° ~ 60° C) for storage
 32 ~ 140° F (0 ~ 60 C) for operation

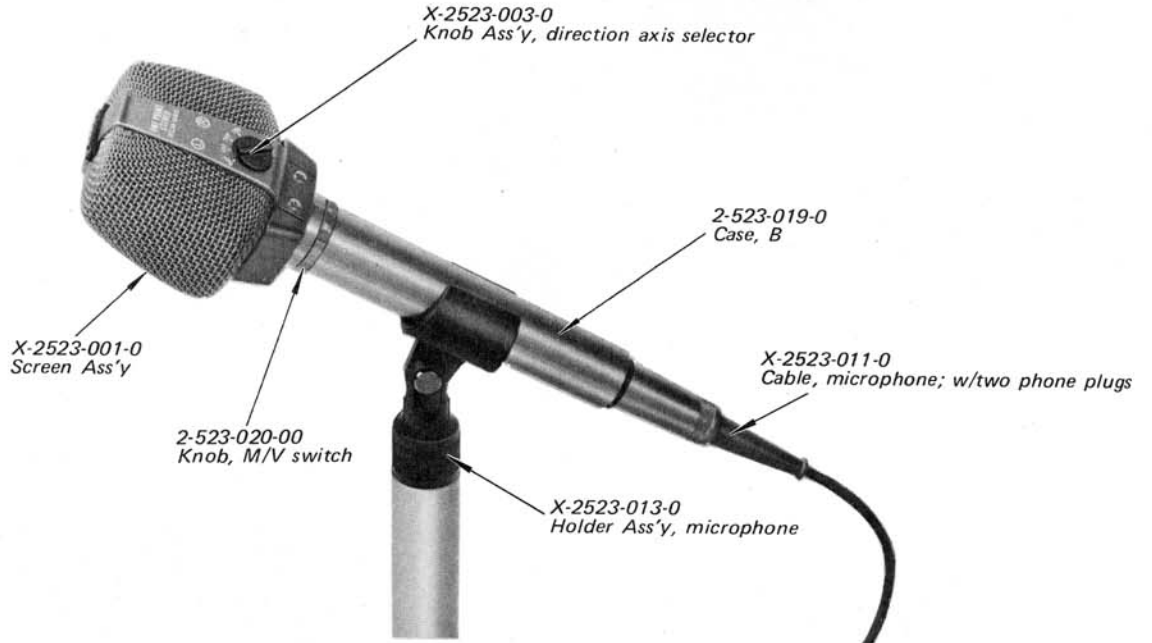
GENERAL

Type:	One-point stereo electret condenser microphone
FET:	Two FETs
Capsule:	Electret condenser capsule
Battery:	Flashlight battery size AA EVEREADY No. 1015 (manganese) No. E-91 (alkaline)
Microphone cable:	$5/32$ " dia. 9 ft. (3.9 mm dia. 3 m) cable with two phone plugs
Dimensions:	Screen (88 x 76 x 43) x Case 25 mm dia. x Total Length 210 (mm) Screen ($3\frac{1}{2}$ x $3 \times 1\frac{11}{16}$) x Case 1 inch dia. x Total Length $8\frac{1}{4}$ (inch)
Weight:	15.9 oz (450 g) with the attached cable and battery

SONY[®]

SERVICE MANUAL

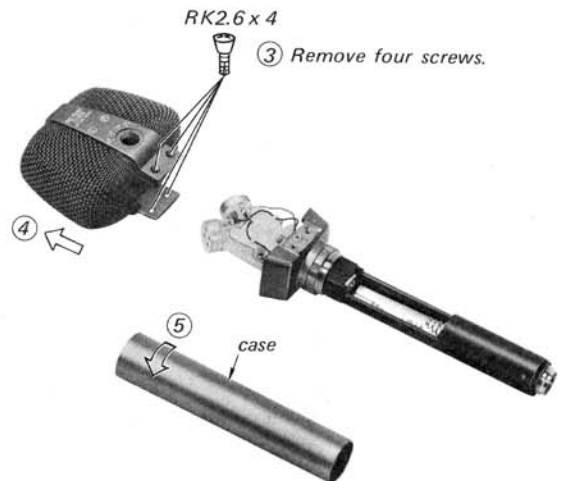
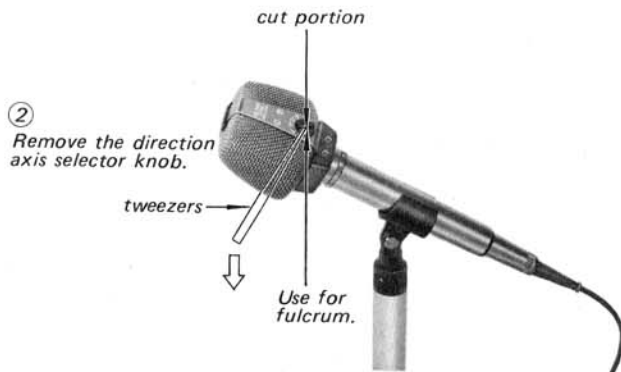
1. EXTERNAL VIEW



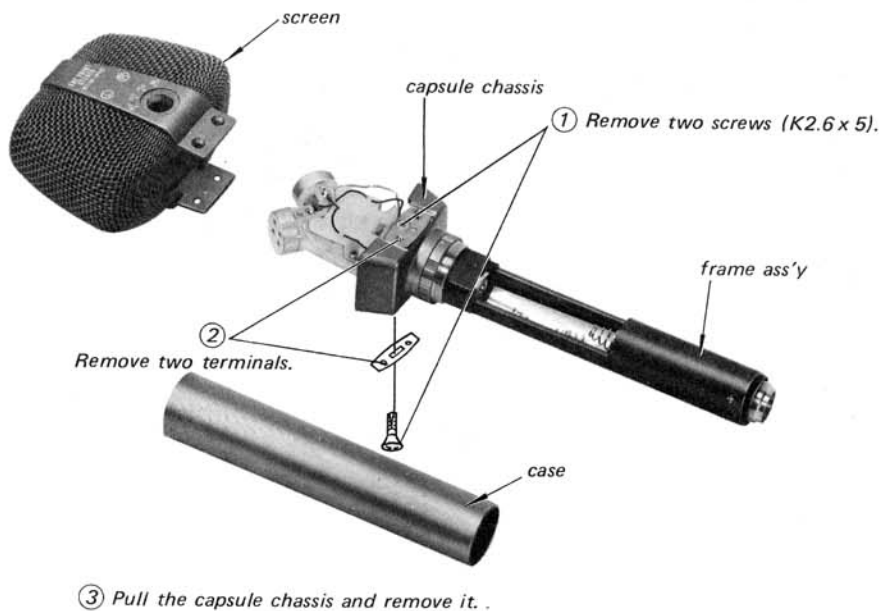
2. DISASSEMBLY

Screen and Case Removal

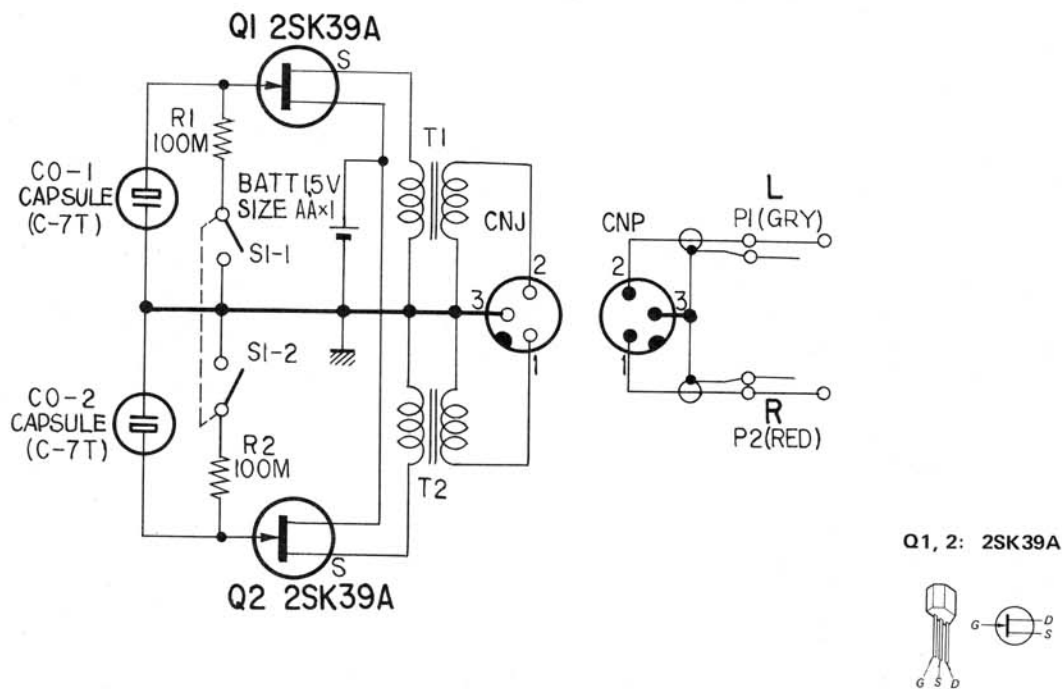
- ① Turn the direction axis selector knob fully left-ward (90 degrees position).



Capsule chassis Removal



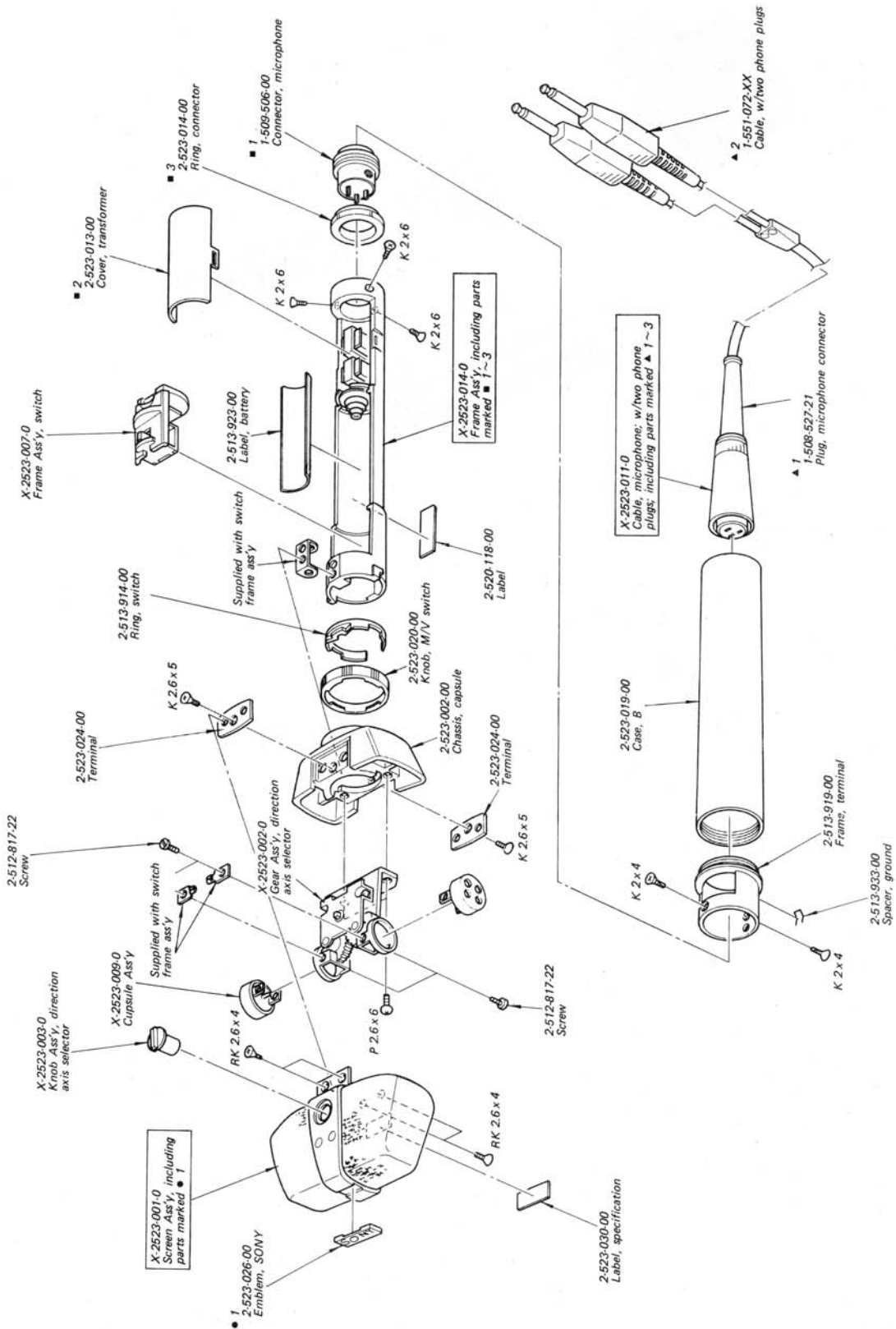
3. SCHEMATIC DIAGRAM



4. ACCESSORIES

Part No.	Description	Part No.	Description
X-2523-011-0	Cable, microphone; w/two phone plugs including;	X-2523-013-0	Holder Ass'y, microphone
1-508-527-21	Plug, microphone connector	1-528-027-11	Battery
1-551-072-XX	Cable, w/two phone plugs	2-523-070-00	Case, carrying
2-523-073-00	Sheet, protector	2-599-057-21	Manual, instruction

5. EXPLODED VIEW



Sony Corporation

© 1975

- 4 -