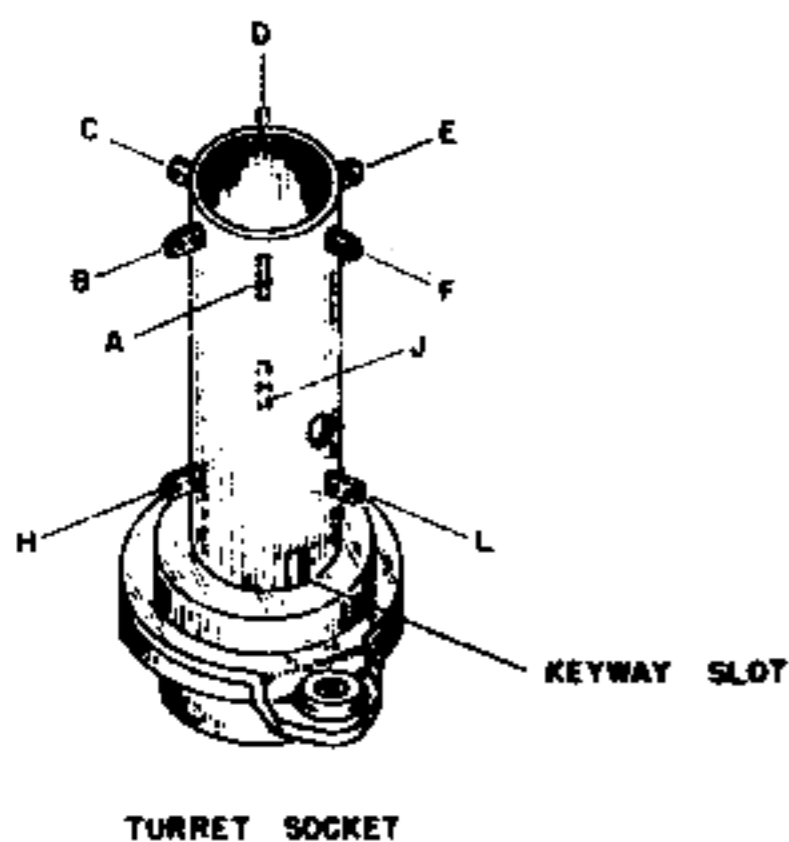


NOTE: ALL VOLTAGES MEASURED WITH 20,000 OHMS PER VOLT METER WITH 117V AC POWER INPUT. J601P IS CONNECTED TO THE ELECTRONICS WITH THE RECORD RELAY DE-ENERGIZED.



**POWER SUPPLY**  
**SERIES 400 SINGLE CASE PORTABLE**  
**AMPEX ELECTRIC CORPORATION**  
 REDWOOD CITY, CALIFORNIA