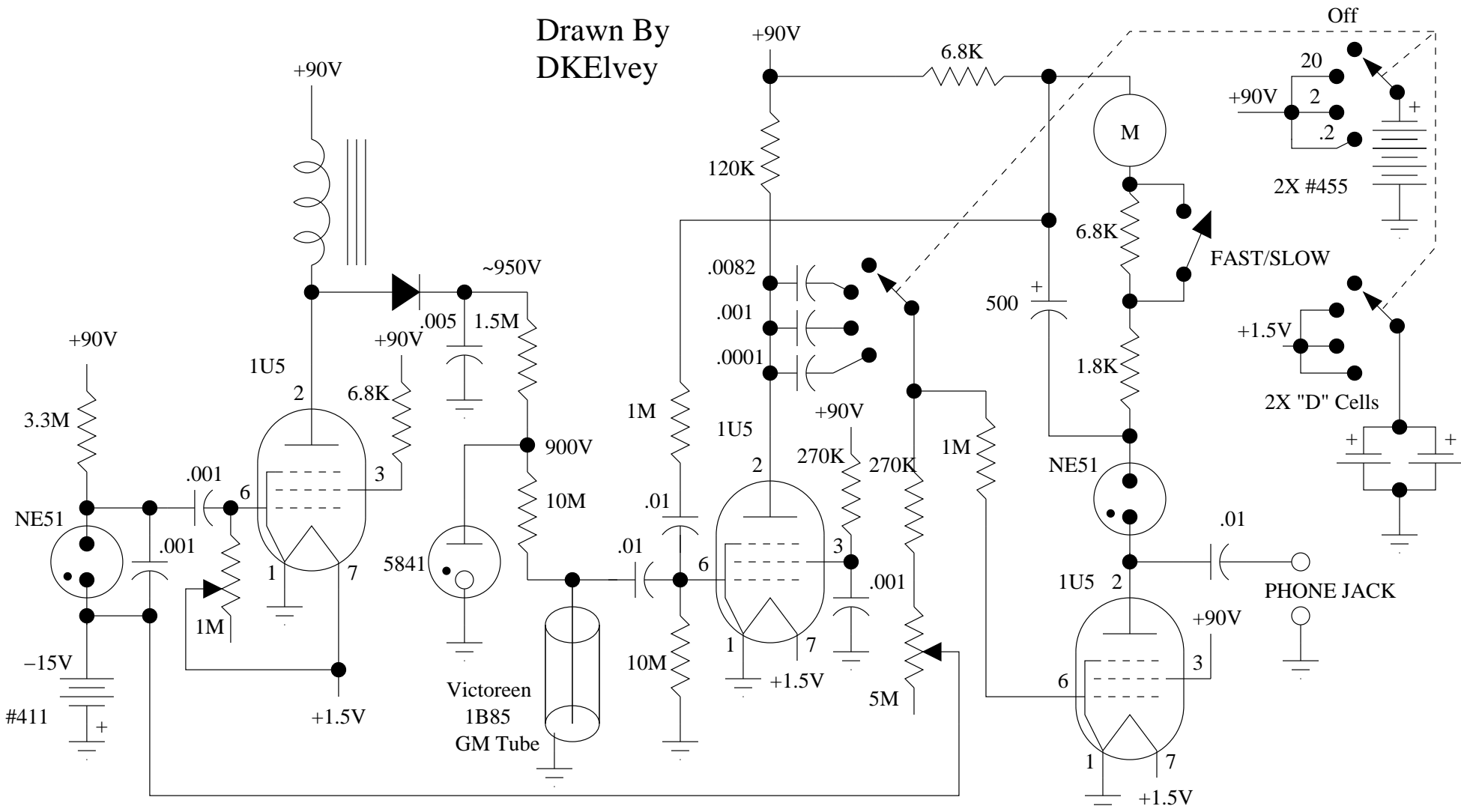


# Detectron DG-7

Drawn By  
DKElvey



Capacitors in micro farrads  
LND 725 maybe substitute for 1B85